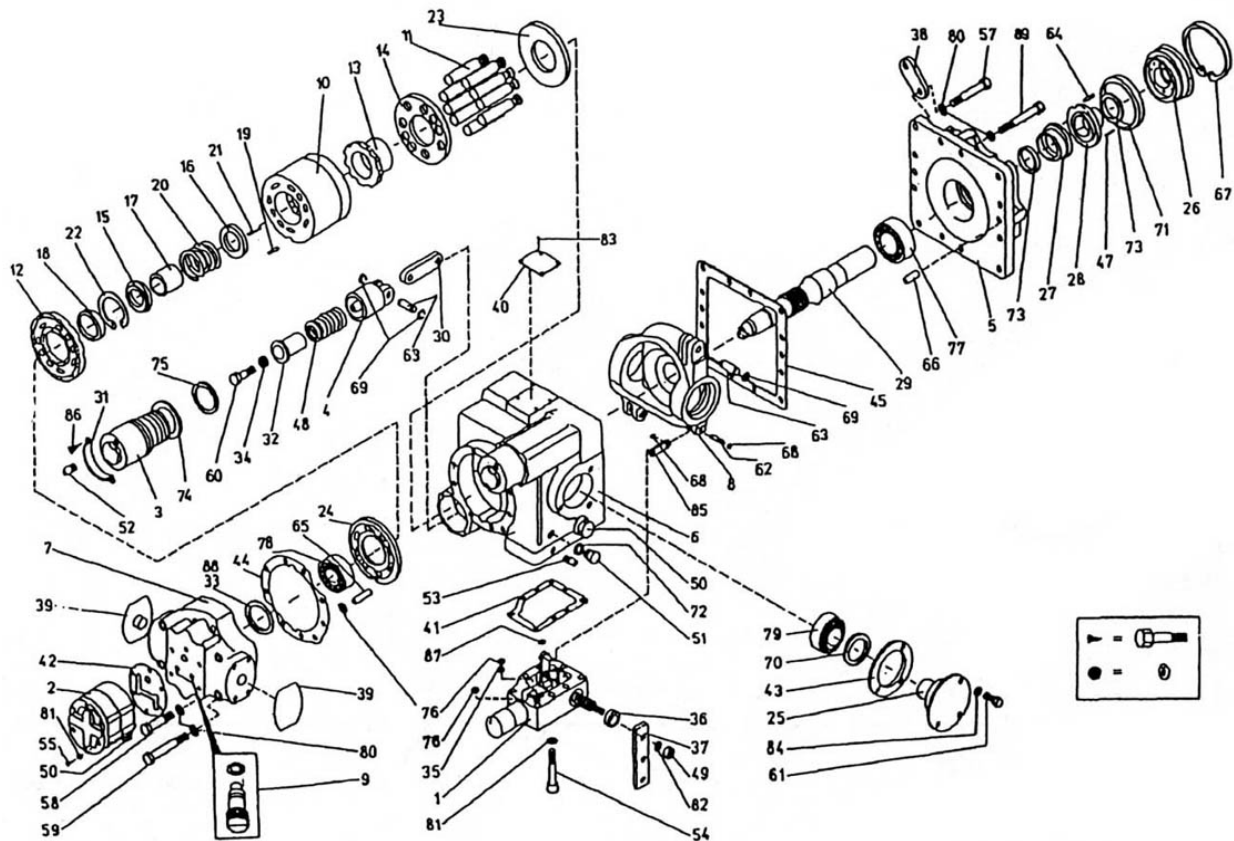


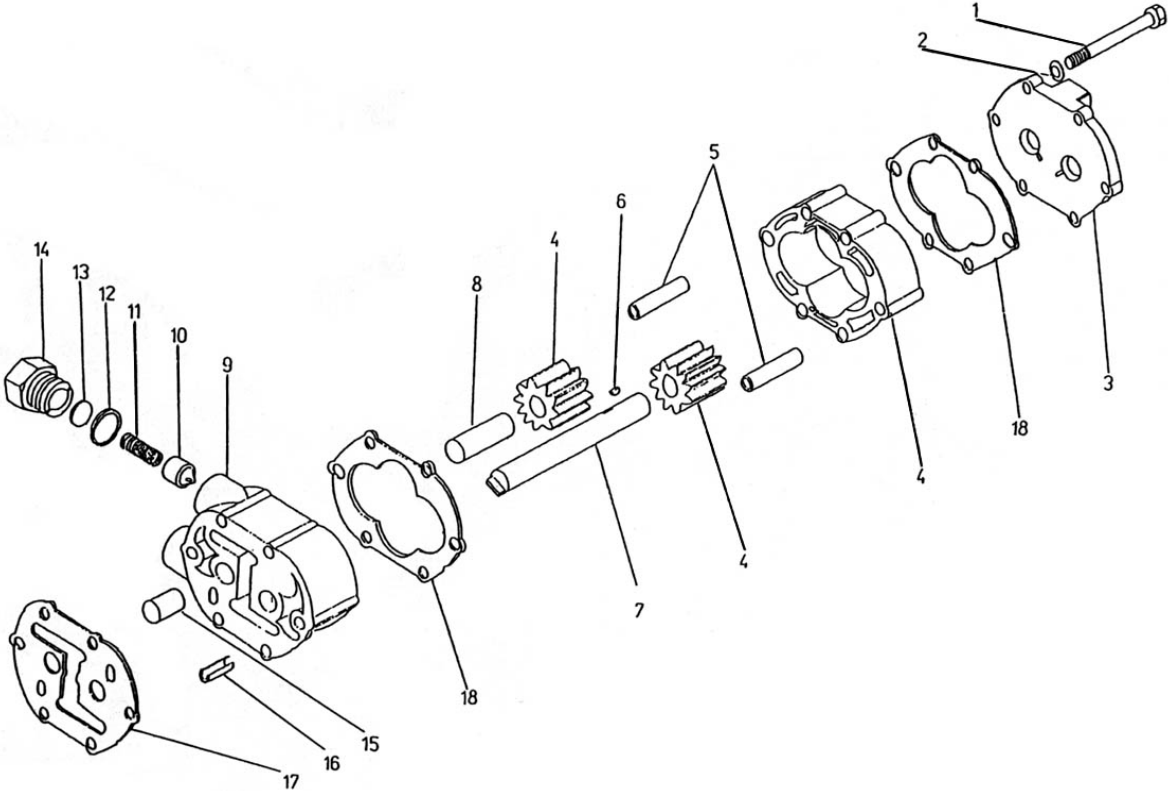
Spare Parts List and exploded view - Variable Pistom Pump GR/ SPV 20 - 27 series



1 - Servovalve Assembly	23 - Thrust Plate	45 - Front Cover Gasket	68 - Retaining Ring
2 - Charge pump Assembly	24 - Valve Plate	47 - Seal Spring	69 - Retaining Ring
3 - Servo Cylinder	25 - Trunnion	48 - Servo Spring	70 - O-Ring
4 - Servo Piston	26 - SealRetainer	49 - Nut	71 - O-Ring
5 - Front Cover	27 - Rotating Seal	50 - Plastic Plug	72 - O-Ring
6 - Pump Housing	28 - Stationary Seal	51 - Plug	73 - O-Ring
7 - End Cap	29 - Drive Shaft	52 - Expander 05	74 - O-Ring
8 - Swash Plate	30 - Servo Link	53 - Expander 09	75 - O-Ring
9 - Check Valve	31 - Sleeve Retainer	54 - Hex Head Screw	76 - O-Ring
10 - Cylinder Barrel	32 - SpringGuide	55 - Hex Head Screw	77 - Front Bearing
11 - Piston Assembly	33 - Shim	57 - Hex Head Screw	78 - Rear Bearing
12 - Bearing Plate	34 - Washer	58 - End Cap Screw	79 - Trunnion Bearing
13 - Retainer Guide	35 - Orifice	59 - End Cap Screw	80 - Washer

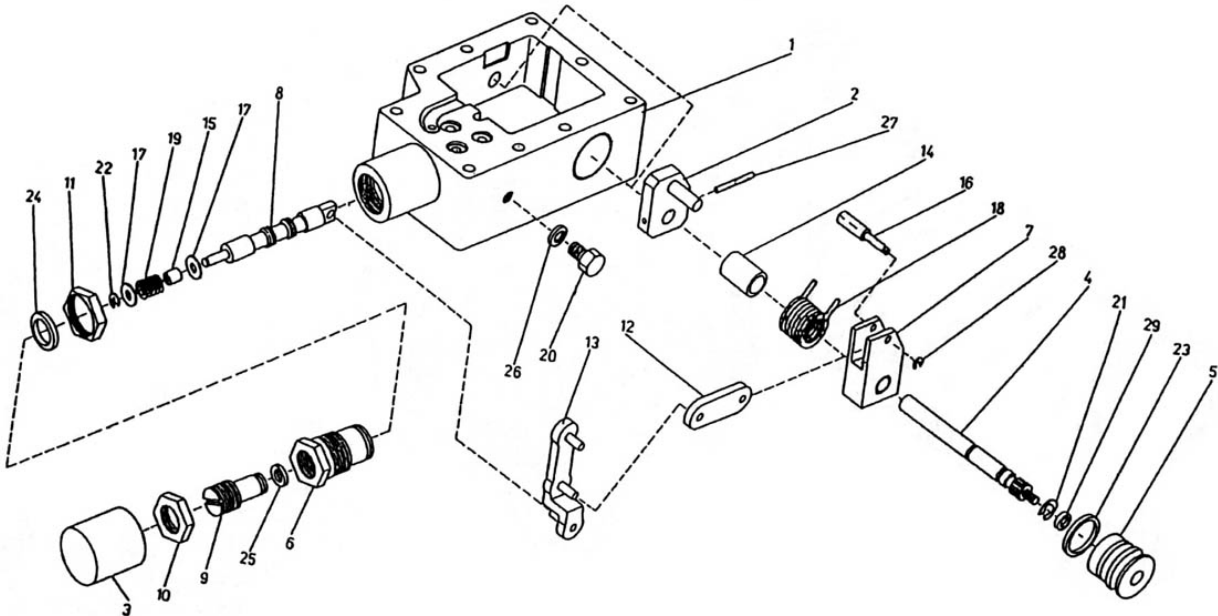
14 - Slipper Retainer	36 - Spacer	60 - Screw	81 - Washer
15 - Spring Retainer	37 - Control Handle	61 - Hex Head Screw	82 - Washer
16 - Spring Seat	38 - Loop	62 - Pin	83 - Drive Screw
17 - Spring Guide	39 - Cap	63 - Pin	84 - Washer
18 - Bearing Plate Pilot	41 - Control Valve Gasket	64 - Drive Screw	85 - LinkSwashplate
19 - Pin	42 - Charge Pump Gasket	65 - Pin	86 - Socket Head Screw
20 - Cylinder Barrel Spring	43 - Shim Pack	66 - Pin	87 - O-Ring
21 - RetainerSpring	44 - End Cap Gasket	67 - Retaining Ring	89 - Hex Head Screw
22 - Retaining Ring			

Charge Pump Assembly



1 - Hex Head Screw	6 - Key	11 - Spring	15 - Pin
2 -Washer	7 - Drive Shaft	12 - O-Ring	16 - Pin
3 - End Cap	8 - Pin	13 - Shim	17 - Charge Pump Gasket
4 - Gear set	9 - Pump Housing	14 - Plub	18 - Gasket
5 - Pin	10 - Relief Valve		

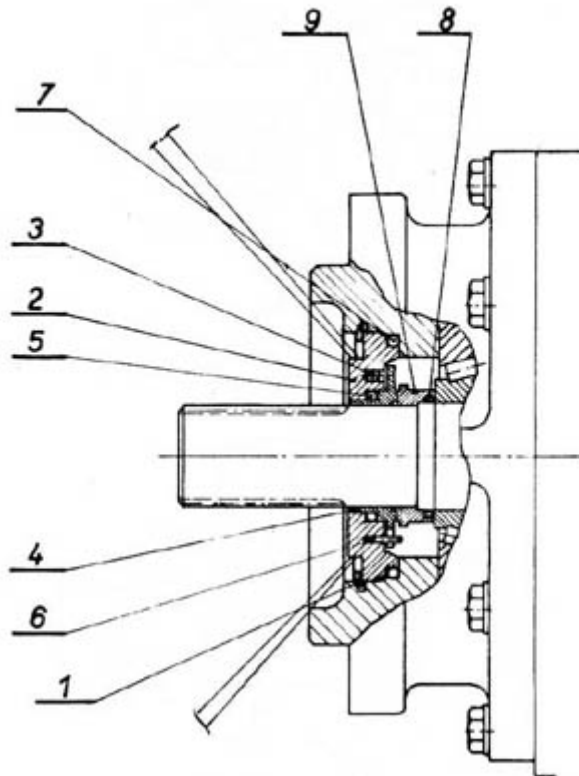
Servovalve Assembly



1 - Control Valve Housing	9 - Set Screw	16 - Stop	23 - O-Ring
2 - Lever Arm	10 - Retaining Nut	17 - Washer	24 - O-Ring
3 - Cover	11 - Retaining Nut	18 - Torsion Spring	25 - O-Ring
4 - Shaft	12 - Link	19 - Spring	26 - O-Ring
5 - Bushing	13 - Valve link	20 - Plug	27 - Pin
6 - Spring Bushing	14 - Bushing	21 - Retaining Ring	28 - Retaining Ring
7 - Shaft Link	15 - Bushing	22 - Retaining Ring	29 - O-Ring
8 - Shuttle Valve			

Shaft Seal Kit

Annex No. 6



Legend:

1. Retaining ring, 2. Holder of the guiding ring, 3. Spring, 4. Stable packing, 5. Packing ring, 6. Pin,
7. Packing ring, 8. Packing ring, 9. Rotary packing

Shaft packing

A, Disassembly

1. Demount the transmission
2. Take out the retaining ring with pliers (see Annex No. 6).
3. Take out the holder of the guiding ring with stable packing by means of two screw drivers put from the outside (see Annex No. 6).
4. Pull down the rotary packing from the shaft with fingers or two screw drivers; also pull down the "O" ring. Keep the sequence and completeness of the parts according to the annex No. 6.

B, Assembly

Caution: Exchange all the fixed and rotary parts of the shaft packing. Do not mount the old and new parts.

1. Clean the new air-dried parts of the packing.
2. Insert springs into the holder of the guiding ring. Slide the new "O" ring onto the stable packing and insert it into the holder of the guiding ring so as the hollow coincide with the fixing pin.
3. Mount a large "O" ring again onto the holder of the guiding ring.
4. Place a new "O" ring on the rotary packing.

5. Place a plastic foil around the shaft and lead the rotary packing through the shaft as far as the stop. Do not press the sliding packing surface.
6. Slide on the stable packing together with the holder of the guiding ring and push them in as far as the hollow for the retaining ring will be released.
7. Compress the retaining ring with pliers and insert it, its beveled side being turned outwards.